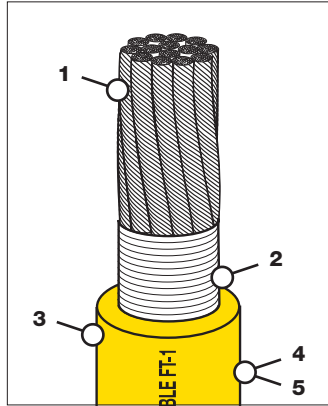


Super-Trex® 600 Volt Welding Cable

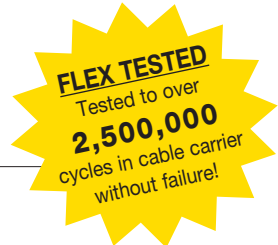
- UL Listed
- RoHS Compliant
- Type SC
- Max Conductor Temperature 90°C
- UV Resistant
- CSA
- FT-1 Flame Rating
- 600 V
- MSHA Approved* (2 AWG and Larger)

Super-Trex® 600 Volt Welding Cable is designed for rugged use featuring our Extra-Flex rope lay copper conductor, 100% fabric serve and a jacket with a 25% thicker wall compared to ordinary cable. The result is a flexible weld and power cable that withstands tearing, abrasion, impact and chunking, extending the life of the cable in harsh applications. This cable is ideal for use in welding or power applications.



FEATURES & BENEFITS

- EXTRA-FLEX #34 AWG BUNCH STRANDED ROPE LAY COPPER** – 2-1/2 times more stranding than conventional welding cables. Reduces copper conductor fatigue and breakage. Easier to work with. High impact resistance.
- 100% FABRIC SERVE** – Improves tear resistance and reduces jacket shrink-back.
- FOOTAGE INDICATORS MARKED ON THE JACKET** – Easy, precise measuring reduces waste and improves productivity.
- SPECIALLY COMPOUNDED, SECURITY YELLOW, SUPER-TREX® TSE JACKET RATED 600 VOLT** – Superior first-line defense against all types of industrial and environmental abuse. Flame and heat resistant. Extreme all-weather flexibility.
- JACKET IS 25% THICKER THAN ORDINARY CABLE** – Withstands tearing, abrasion, impact and chunking.



APPLICATIONS

- Battery Charger Lead Wires
- Bus Welding Boxes or Transformers
- Electrode Holder and Ground Connections to Arc Welders
- Power Supply Applications
- Portable Lighting

SUGGESTED CABLE SIZE BASED ON AMPACITY AND CABLE LENGTH (Total circuit length includes the welding (electrode) & ground lead)

REQUIRED AMPS	TOTAL CIRCUIT LENGTH								
	100'	150'	200'	250'	300'	350'	400'	500'	600'
100	4	4	2	1	1/0	1/0	2/0	3/0	4/0
150	4	2	1	1/0	2/0	3/0	3/0		
200	2	1	1/0	2/0	3/0	4/0	4/0		
250	1	1/0	2/0	3/0	4/0				
300	1/0	2/0	3/0	4/0	Recommended Minimum Bend Radius for Cable Applications: The Minimum Bend Radius for Dynamic Applications is 8 times the O.D. of the cable. Minimum Bend Radius for Static Applications is 6 times the O.D. of the cable.				
350	1/0	3/0	4/0						
400	2/0	3/0							
450	2/0	4/0							
500	3/0	4/0	<small>NOTE: (1) For welding applications only. Do not use this table for 600 volt applications. The total circuit length includes both the welding and ground cable (based on 4 volt drop) 60% duty cycle. Current carrying values are based on copper temp. of 60°C and ambient temp. of 40°C.</small>						
550	3/0	4/0							

ORDERING INFORMATION (MINIMUM PURCHASE MAY BE REQUIRED IF PRODUCT NOT STOCKED)

PART NO.	CABLE SIZE AWG	CONDUCTOR STRANDING	JACKET THICKNESS (IN)	NOMINAL O.D. (IN)	WT. (LBS) PER 1000'	MIN. BEND RADIUS (IN)	AMPACITY: 600V IN-LINE APPLICATIONS ¹
86310	6	660 x 34	0.080	0.370	132	3.0	105
86311	4	1045 x 34	0.093	0.450	202	3.6	140
86312*	2	1634 x 34	0.103	0.540	305	4.4	190
86314*	1/0	2597 x 34	0.115	0.660	416	5.3	260
86315*	2/0	3300 x 34	0.115	0.700	558	5.6	300
86316*	3/0	4214 x 34	0.140	0.797	721	6.4	350
86317*	4/0	5225 x 34	0.158	0.900	906	7.2	405

NOTE: (1) Based on an ambient temperature of 30°C and conductor temperature of 90°C per NEC, Table 3.10.15(B)(17). *MSHA Approved

Portable Cords
Power Cables (600 Volt to 35 KV)
Welding Cables
VFD/Servo Motor Cables
Reeling Cables
Control Cables/Instrumentation
Bus Cables
Flat-tension Cables
Retractable Coil Cables
Chemical & Temp. Resistant Cables
High Temperature Cables
Igniter Cables
Thermocouple Extension Wires
Engineered Custom Cables